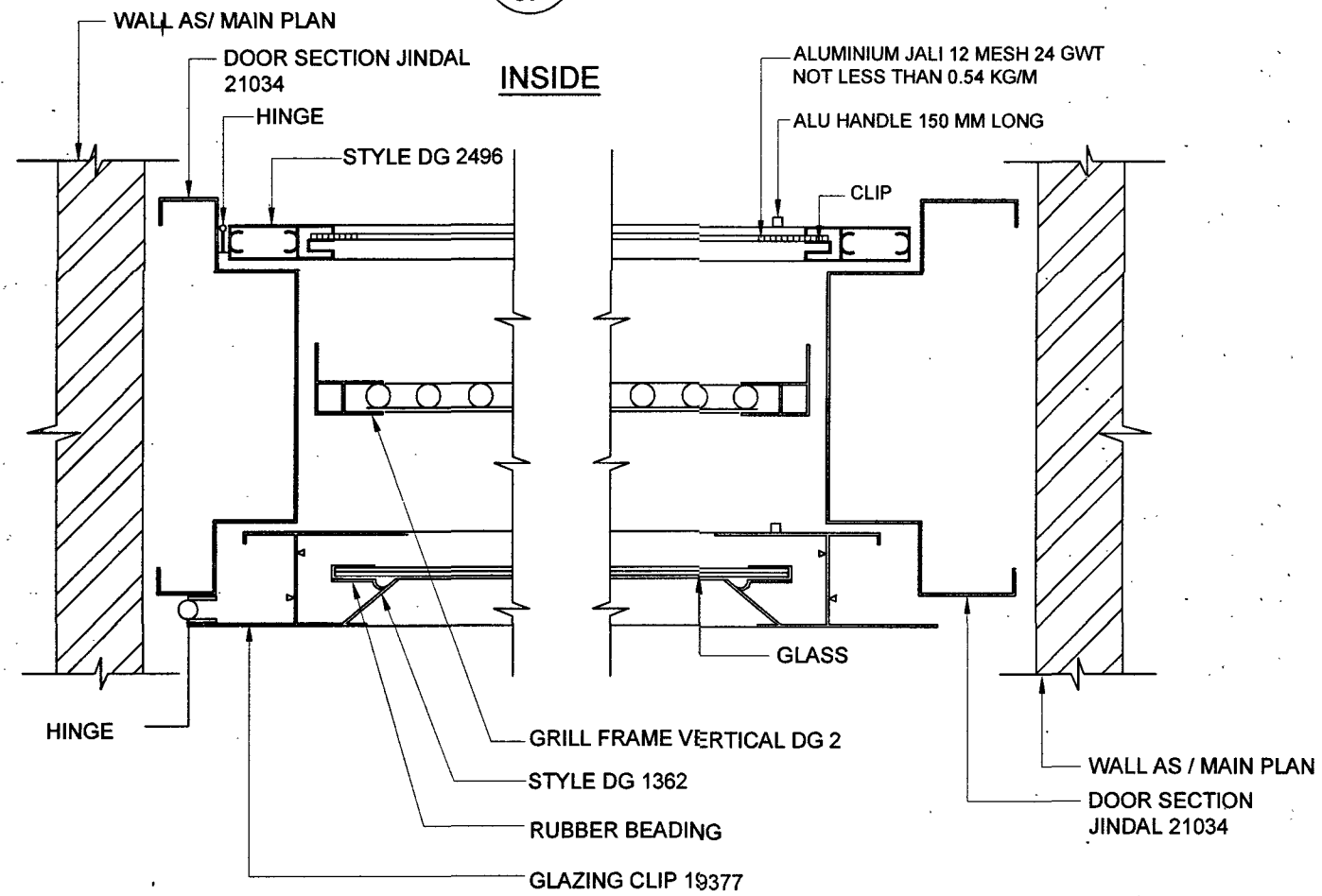
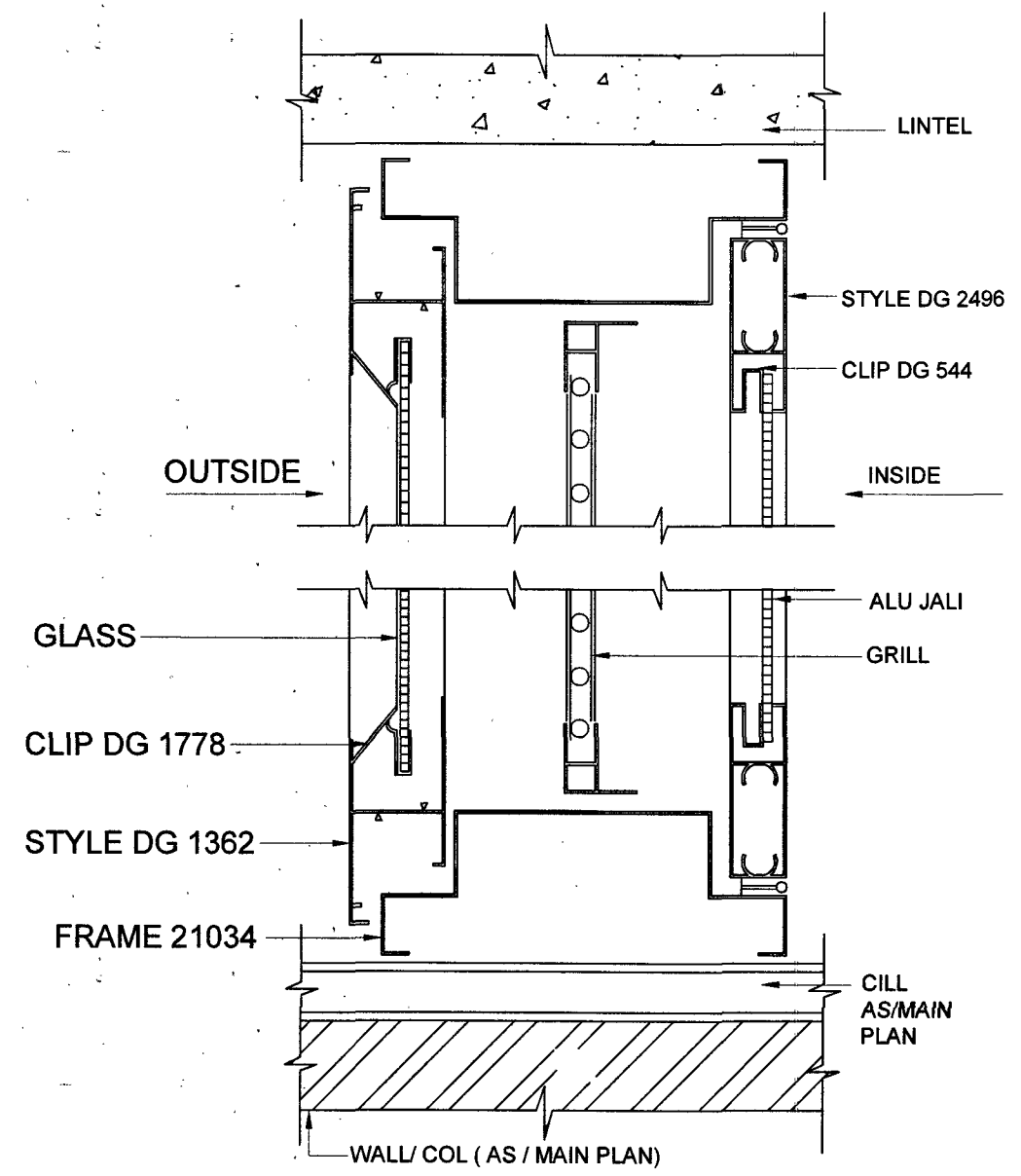


ELEVATION ALW - 6F

ALW
6F



**OUTSIDE
DETAIL AT 3 & 4**



**DETAIL AT C & D WITH MOSQUITO
PROOFING (ALW) 'M'**

PAGE :- 191 DOOR SECTION JINDAL 21034 WEIGHT 1.5 kg/m

- NOTES:**
- 1 CONTRACTOR TO CHECK & VERIFY ALL DIMENSIONS BEFORE TAKING EXECUTION OF THE WORK.
 - 2 FIGURED DIMENSIONS SHALL BE FOLLOWED.
 - 3 ALL DIMENSION ARE GIVEN IN MILLIMETERS UNLESS OTHERWISE STATED.
 - 4 THE ALUMINIUM SECTIONS SHALL BE ANODISED IN NATURAL MATT FINISH , THE THICKNESS OF ANODIC FILM SHALL BE MINIMUM 15 MICRONS.
 - 5 ALL EXTERNAL WINDOWS SHALLBE PROVIDED WITH ALUMINIUM GRILL.
 - 6 THE ALUMINIUM GRILL PATTERN ARE TAKEN FROM DECOGRILLE MAKE.
 - 7 ALL FITTINGS AND FIXTURES (HINGES,STAY & HANDLES EXC.)SHALL BE PROVIDED AS PER MANUFACTURING INSTRUCTIONS.
 - 8 RUBBER GASKET SHALL BE PROVIDED TO WINDOWS IN ALL A/C ROOMS.
 - 9 SH. DENOTES SIDE HUNG.
 - 10 'M' INDICATES MOSQUITO PROOFING SHUTTER.
 - 11 FIXING DETAILS OF LOUVERS SHALL BE AS PER MANUFACTURES INSTRUCTIONS.
 - 12 FIXING DETAILS OF LOUVERS SHOWN IN THIS DRG. ARE TAKEN FROM CATALOGUE AJIT INDIA PVT LTD.

ARCH DRAWINGS PREPARED UNDER CONSULTANCY BY MS THE DESIGN FACTORY, 293, CHHOTI BARANDARI PART-1 JALANDHAR,PUNJAB THE SAME ARE SIGNED BY US AS PER E-IN -C'S BRANCH POLICY LETTER NO.08/2017 ISSUED UNDER E2 WORKS (PPC)SUB DTE.DTE OF WORKS LETTER NO. A00157/23-1/POL/E2W(PPC) DATED 02 JULY 2017

SL NO	DATE	DESCRIPTION	INITIAL
REVISION			

DETAILS OF ALUMINIUM WINDOW & VENTILATOR

DATE	13/03/2025	SHEET NO	
DRAWN		CHIEF ENGINEER	02
CHKD		JALANDHAR ZONE	03
SCALE	AS SHOWN	DRG NO : CEJZ / TD-96 / 2025	

CONSULTANTS:

 THE DESIGN FACTORY
 293 CHHOTI BARANDARI PART 1 - JALANDHAR +91 9876602949 thedesignfactory7@gmail.com

DIRECTOR (ARCH)
 AAD (ARCH)